

.475

.415 MIN
THD LENGTH

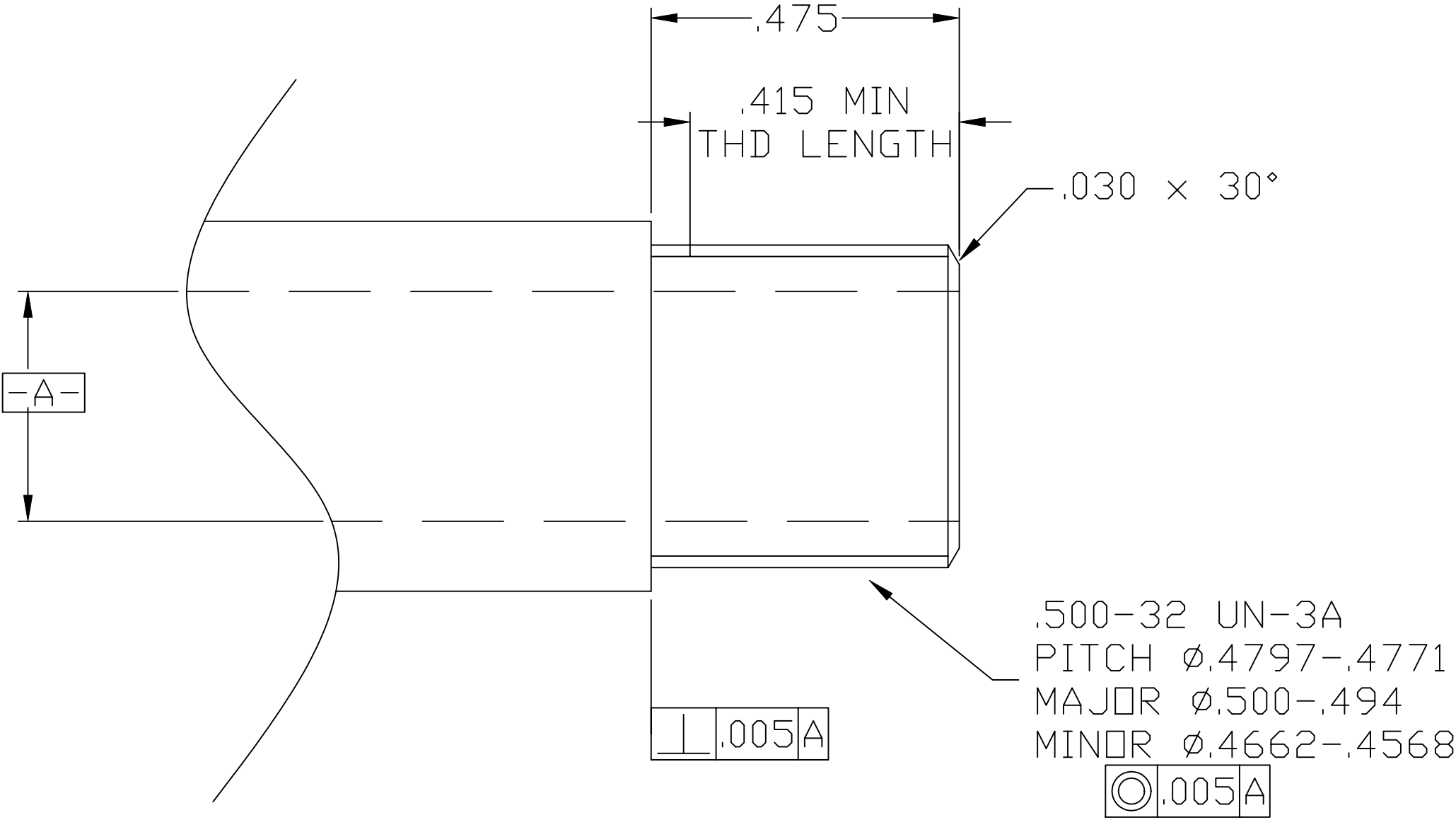
.030 x 30°

-A-

⊥ .005 A

.500-28 UNEF-3A
PITCH ϕ .4768-.4740
MAJOR ϕ .5000-.4935
MINOR ϕ .4613-.4508

⊙ .005 A



-A-

.475

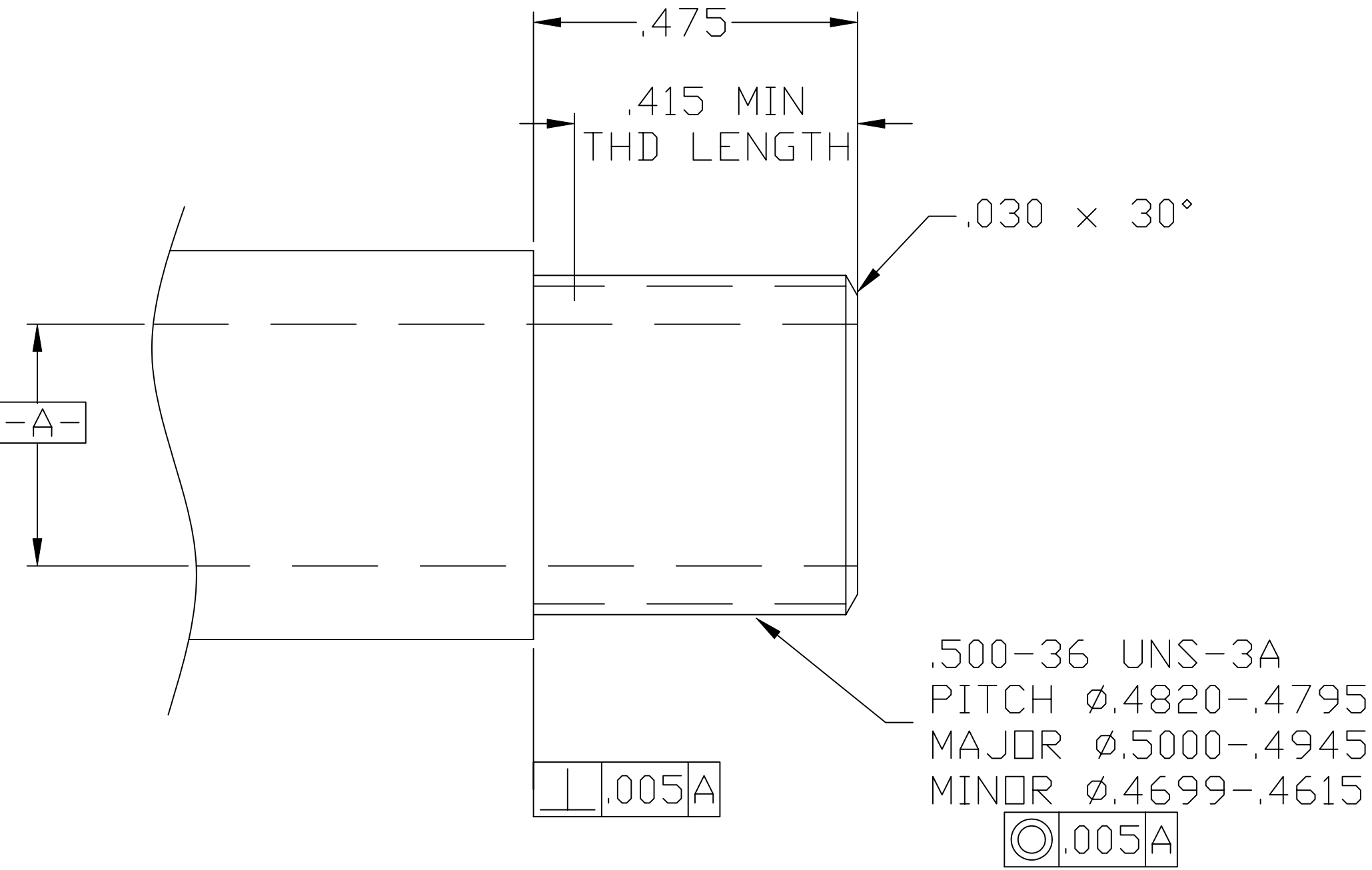
.415 MIN
THD LENGTH

.030 \times 30°

\perp .005A

.500-32 UN-3A
PITCH $\phi .4797-.4771$
MAJOR $\phi .500-.494$
MINOR $\phi .4662-.4568$

\odot .005A



.475

.415 MIN
THD LENGTH

.030 x 30°

$\sqrt{\text{A}}$

\perp .005 A

.500-36 UNS-3A
PITCH $\phi .4820 - .4795$
MAJOR $\phi .5000 - .4945$
MINOR $\phi .4699 - .4615$

\odot .005 A